

Vertiv™ Liebert® PSI5™ Short Depth 3kVA, 120V Lithium Ion UPS



Quick Installation Guide



Thank you for your recent purchase of a Vertiv UPS! We appreciate your business and are confident that your new product will provide many years of un-interruptible power to your connected equipment. With this purchase, you may also want to consider Vertiv's complete line of racks, PDUs, thermal solutions, KVM switches, and serial consoles. Vertiv also offers a broad array of services and extended warranties. If you require any assistance or support please don't hesitate to reach out to one of our resellers, local rep firms, or directly to us at 1-800-222-5877 menu option 3, or email at microups.warranty@vertiv.com. We stand ready to support you. We sincerely hope that you'll continue to select Vertiv for all of your future infrastructure needs!

The Vertiv Team

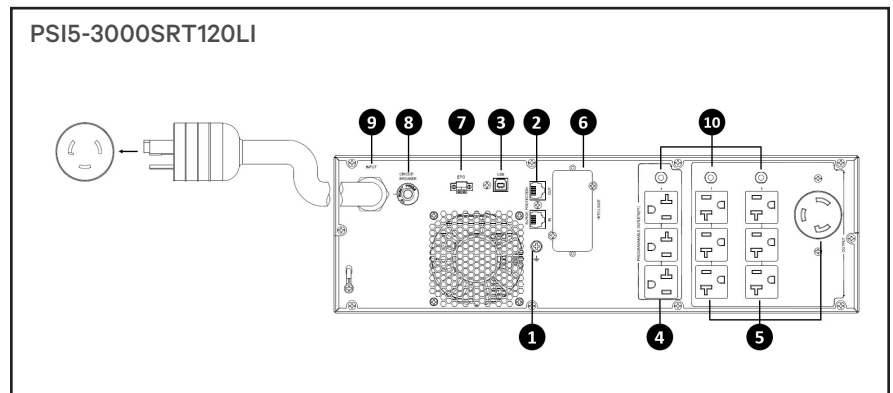
IMPORTANT: Before installing, connecting to supply or operating your Vertiv™ Liebert® PSI5™ UPS, please review the Safety and Regulatory Statements sheet. For detailed installation, operating, maintenance and troubleshooting information refer to the Liebert PSI5 User Guide available at www.Vertiv.com.

Installations

1. Inspecting the contents

Inspect the contents of the box. If anything is missing or damaged contact us right away and do not proceed. The following items are included:

- Liebert® PSI5 UPS
- 4 x Tower feet
- 2 x UPS rack ears with 8 x rack ear screws (M4 x 8mm)
- Accessory bag including:
 - Quick install guide
 - Safety and regulatory statements
 - USB type A to B cable
 - 4 x Tower feet extenders with 8 x tower feet screws (M4 x 8mm)
- 2-Post rail kit box including:
 - Left and right rail set
 - 12 x Rail kit screws (#12-24 x 3/4)
 - 8 x Washers (M6)



#	Description	#	Description
1	Grounding screw	6	SNMP IntelliSlot port
2	Network/Fax/Modem surge protection input/output	7	Emergency Power Off (EPO) connector
3	USB communication port	8	Input circuit breaker (30A)
4	Programmable receptacles	9	AC input (L5-30P)
5	Non-programmable receptacles	10	Output circuit breakers (20A x 3)

2. Choosing a location

Install the Liebert® PSI5 in a temperature-controlled environment that is free of corrosive and conductive contaminants. Avoid locations near heat or water sources and exposed to direct sunlight. For proper air flow, leave 4 inches of clearance on the front and back of the UPS.

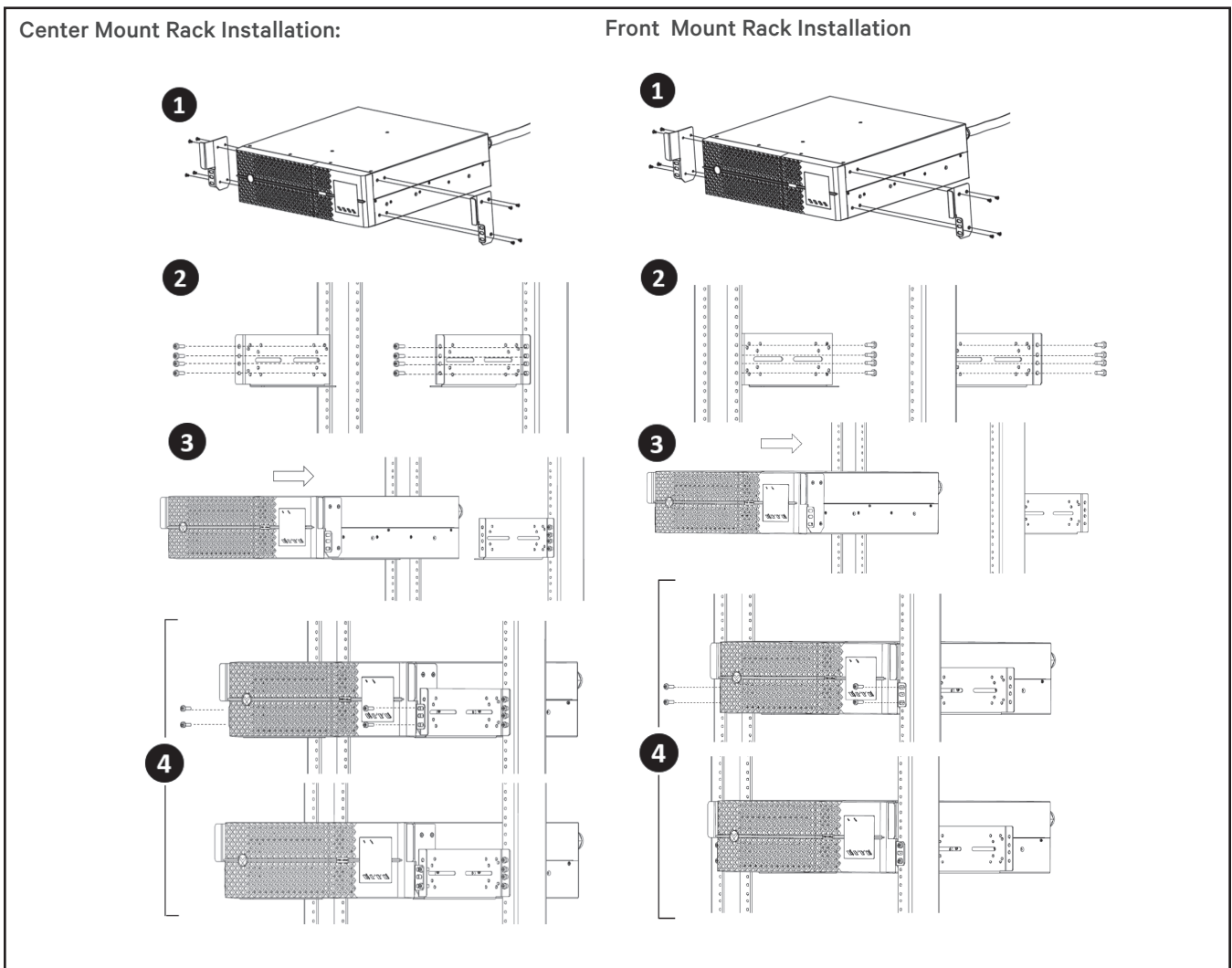
3. Installing the UPS

The Liebert® PSI5-3000SRT120LI weighs ~56lbs (25.4kg). It may be installed in either a 2-post rack or tower configuration.

- For center mount rack installation:
 1. Attach the rack ears with 4 x rack ear screws to each side of the UPS.

Quick Installation Guide

2. Attach the left and right rail to the front of the rack using 4 x rail kit screws and 4 x washers on each side. The slotted end of the rail mounts to the rack.
 3. Place the UPS on the rails and slide rearward until the rack ears line up with the rail.
 4. Use 2 x rail kit screws on each side to mount the rack ears to the rails.
- For front mount rack installation:
 1. Attach the rack ears with 4 x rack ear screws to the front right and left sides of the UPS.
 2. Attach the left and right rail to the rear of the rack using 4 x rail kit screws and 4 x washers on each side. The slotted end of the rail mounts to the rack.
 3. Place the UPS on the rails and slide rearward until the rack ears line up with the rack.
 4. Use 2 x rail kit screws on each side to mount the rack ears to the rack.
- For tower installation:
 1. Place an extender on each tower foot.
 2. Secure the extender on each tower foot with 1 x screw on each side.
 3. Connect 2 x tower feet together and secure with 1 x screw on each side. Repeat steps 1-3 to create 2 x tower stands.
 4. Place the UPS on the tower stands spaced evenly from the front and rear of the UPS.



Connections

1. Connecting loads

For optimal protection charge the UPS for up to 2 hours to reach 90% battery capacity before connecting loads. The UPS has non-programmable and programmable outlets. Plug your critical equipment (such as computer, monitors, etc.) into the non-programmable outlets and your less-critical equipment (such as printers and other less-often used peripherals) into the programmable outlets. Do not plug in the UPS input power until after all load and optional connections have been made.

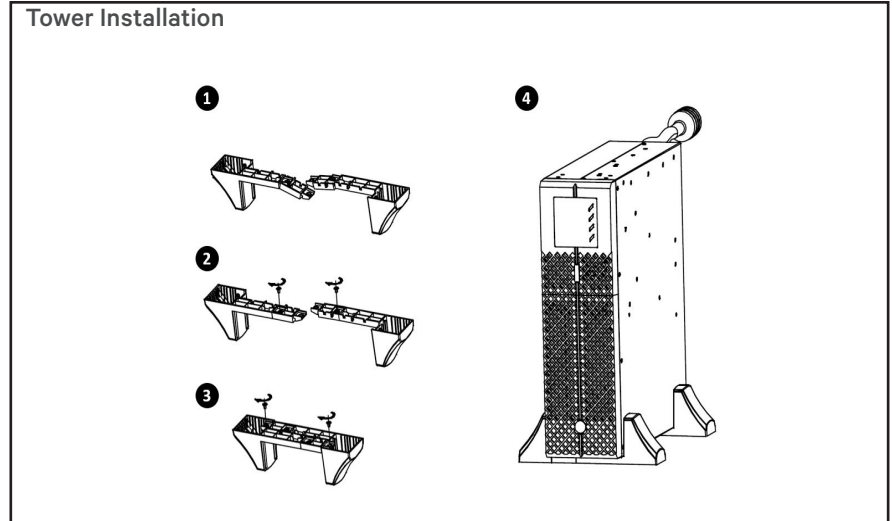
2. Network communication card connection (optional)

Advanced monitoring and simple control of the Liebert® PSI5 can be done with the use of a Vertiv Liebert® IntelliSlot Unity Communications card. Visit www.vertiv.com/intellislot for additional information.

1. Remove the two screws and protective cover on the rear panel SNMP IntelliSlot port.
2. Insert the card into the port and secure it with the screws. Refer to the documentation with the card or at the website above for cable connection and operation.

3. USB communication connection (Optional)

Basic monitoring of the Liebert® PSI5 and unattended controlled shutdown of your computer in case of a power failure can be done using the Liebert® Power Assist software via the USB port. Visit www.vertiv.com/powerassist for additional information.



4. Connecting for network protection (Optional)

Connect a network, fax, or modem to the network/fax/modem surge-protection ports on the rear panel for protection from electrical surges to your computer or telephone network.

5. Emergency Power-off (EPO) Connection (Optional)

The remote EPO connector, when activated, will electronically shut down the UPS and remove all output power to the connected equipment.

To use this feature remove the factory installed jumper on the rear panel EPO connector and connect to active-open contacts that open during an emergency power off event. Operating logic may be reversed in the Settings menu. If you do not use the EPO connector, leave the factory installed jumper in place and the default (active open) EPO setting in the Settings Menu.

6. Connecting AC input

Ensure that all the loads are first powered off. Connect to an input-power supply/wall outlet that is properly protected by a circuit breaker in accordance with national and local electrical codes. The input receptacle must be grounded.

Operation



1. Starting up the UPS

Once the UPS is plugged into a stable 120 VAC source, the LCD display turns on and the batteries begin charging. Press and hold the **ENTER/O** button for two seconds and use the popup window to confirm the UPS should be turned on. The UPS is in Battery Self Test mode for 10 seconds. After a successful battery self-test, the UPS is in On mode and the output receptacles will provide power.

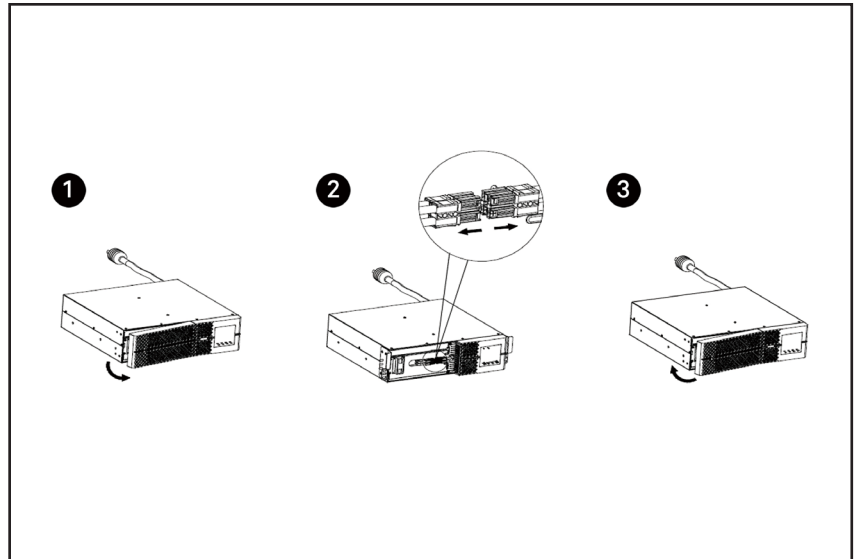
2. Turning the UPS off

Press and hold the **ENTER/O** button for two seconds, and use the popup window to confirm that the UPS should be turned off. This will turn the outlets off.

3. Fully powering down the UPS

After turning the UPS off, remove input power. Then proceed with the following steps:

1. Remove the front bezel by pulling on it firmly until the snaps release.
2. Disconnect the battery by squeezing the connectors and pulling apart.
3. Reinstall the front bezel. The unit is now fully shut down.



To contact Vertiv Technical Support: visit www.Vertiv.com

© 2021 Vertiv Group Corp. All rights reserved. Vertiv and the Vertiv logo are trademarks or registered trademarks of Vertiv Group Corp. All other names and logos referred to are trade names, trademarks or registered trademarks of their respective owners. While every precaution has been taken to ensure accuracy and completeness herein, Vertiv Group Corp. assumes no responsibility, and disclaims all liability, for damages resulting from use of this information or for any errors or omissions. Specifications are subject to change without notice.

